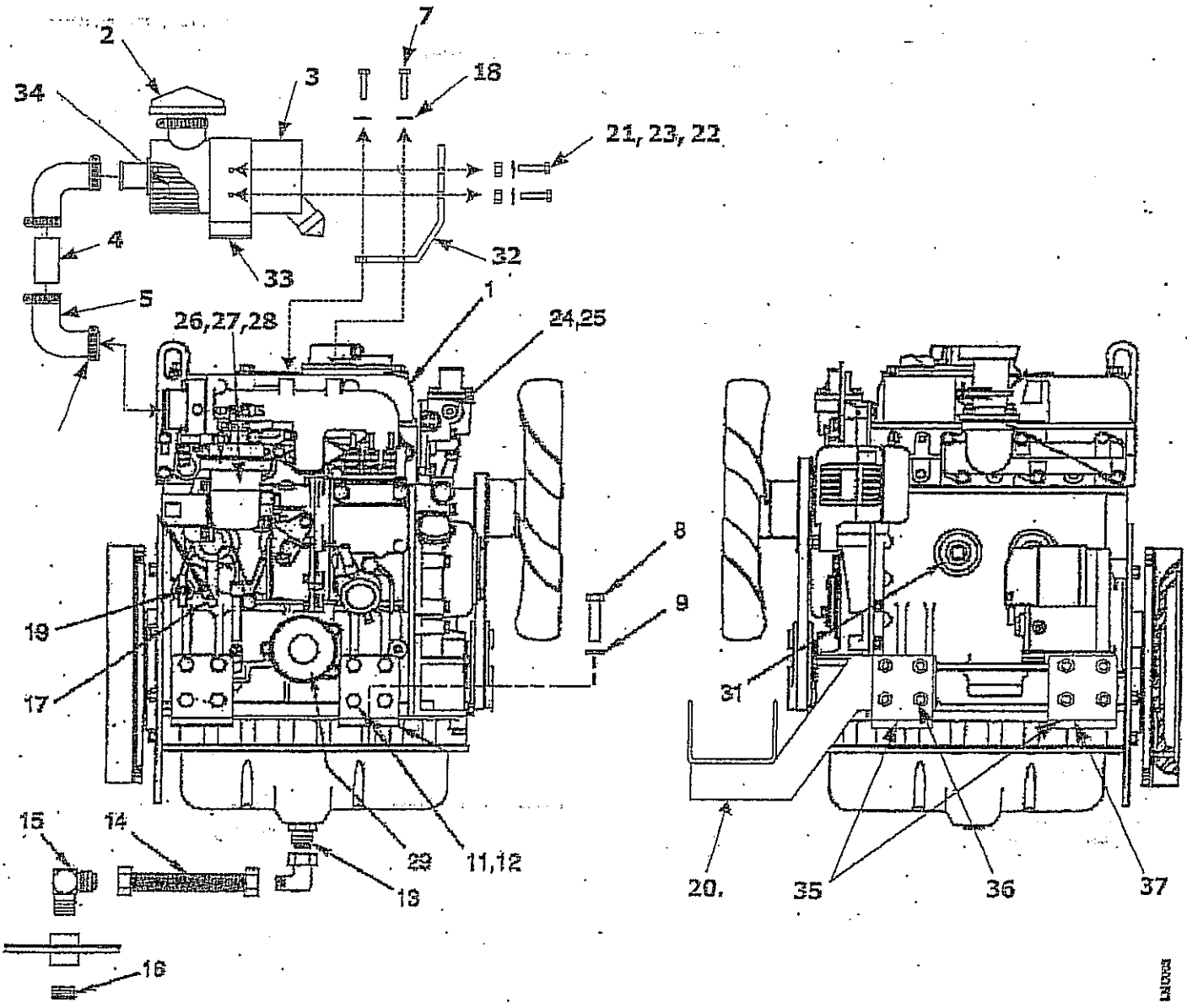


ENGINE ASSEMBLY



RECENT



Section 4 Parts

ENGINE ASSEMBLY

| ITEM | NOTES | PART NUMBER | QTY |   |
|------|-------|-------------|-----|---|
| 1.   |       | 7599        | 1   | Engine Kit (Eng, Radiator, Muffler Fan) |
| 2.   |       | 7740        | 1   | Hood Inlet                              |
| 3.   |       | 7741        | 1   | Air Cleaner                             |
| 4.   |       | 580237      | 1   | Tube, Coupler                           |
| 5.   |       | 588100      | 2   | Rubber Elbow                            |
| 6.   |       | 588099      | 5   | Clamp                                   |
| 7.   |       | 588118      | 4   | Capscrew                                |
| 8.   |       | 607175      | 4   | Capscrew                                |
| 9.   |       | 500275      | 4   | Lockwasher                              |
| 10.  |       | 7558        | 4   | Mount                                   |
| 11.  |       | 7383        | 16  | Lockwasher                              |
| 12.  |       | 588190      | 16  | Capscrew                                |
| 13.  |       | A145-12     | 1   | Adapter                                 |
| 14.  |       | 7762        | 1   | Hose Assembly                           |
| 15.  |       | 607336      | 1   | Adapter                                 |
| 16.  |       | 587163      | 1   | Plug                                    |
| 17.  |       | E1506-2-4   | 1   | Adapter                                 |
| 18.  |       | 5601696     | 4   | Lockwasher                              |
| 19.  |       | R11-4       | 1   | Drain Cock                              |
| 20.  |       | 7584        | 1   | Radiator Support                        |
| 21.  |       | 335         | 2   | Capscrew                                |
| 22.  |       | 500446      | 2   | Nut                                     |
| 23.  |       | 500447      | 2   | Lockwasher                              |
| 24.  |       | 587052      | 1   | Adapter                                 |
| 25.  |       | 587181      | 1   | Washer                                  |
| 26.  |       | 588202      | 1   | Filter Element                          |
| 27.  |       | 588203      | 1   | O-Ring                                  |
| 28.  |       | 588204      | 1   | Cup                                     |
| 29.  |       | 588201      | 1   | Filter, Oil                             |
| 31.  |       | 7350        | 1   | Block Heater (Optional)                 |
| 32.  |       | 7630        | 1   | Bracket, Air Cleaner                    |
| 33.  |       | 7739        | 1   | Mounting Band                           |
| 34.  |       | 8044        | 1   | Element                                 |
| 35.  |       | 7558        | 4   | Engine Mount Bracket                    |
| 36.  |       | 8055        | 8   | Capscrew                                |
| 37.  |       | 588190      | 8   | Capscrew                                |