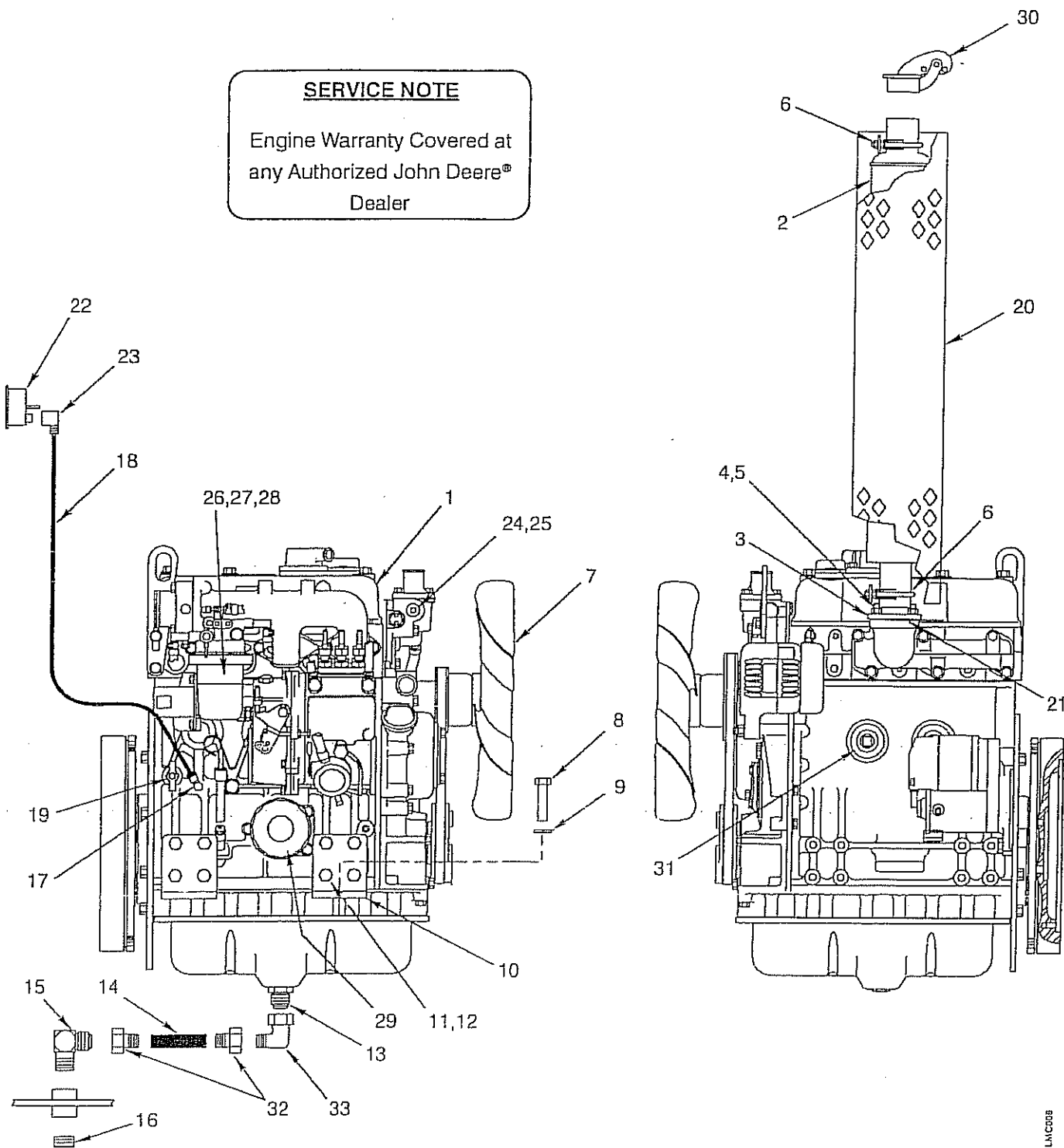


ENGINE

SERVICE NOTE
Engine Warranty Covered at
any Authorized John Deere®
Dealer





ENGINE

| ITEM | NOTES | PART NUMBER | QTY | DESCRIPTION |
|------|-------|-------------|-----|-----------------------------|
| 1 | | 588199 | 1 | Engine |
| 2 | | 7283 | 1 | Engine |
| 3 | | 587011 | 1 | Muffler |
| 4 | | 5601696 | 1 | Adapter |
| 5 | | 5601695 | 4 | Lockwasher, 8 mm |
| 6 | | 585134 | 4 | Nut, 8 mm |
| 7 | | 588212 | 2 | Clamp |
| 8 | | 607175 | 1 | Fan, Pusher |
| 9 | | 500275 | 4 | Capscrew, 5/8-11 x 2 |
| 10 | | 587002 | 4 | Lockwasher, 5/8 |
| 11 | | 6080600 | 4 | Mount |
| 12 | | 588190 | 16 | Lockwasher, 10 mm |
| 13 | | A145-12 | 16 | Capscrew, 10 mm x 1.5 x 25 |
| 14 | | 7250 | 1 | Adapter |
| 15 | | 607336 | 1 | Hose Assembly |
| 16 | | 587163 | 1 | Adapter |
| 17 | | E1506-2-4 | 1 | Plug, 3/4 Flush |
| 18 | | 587068 | 1 | Adapter |
| 19 | | R11-4 | 1 | Hose |
| 20 | | 588053 | 1 | Drain Cock |
| 21 | | 540265-1 | 1 | Guard |
| 22 | | 588077 | 1 | Casket |
| 23 | | E1508-2-4 | 1 | Gauge |
| 24 | | 587052 | 1 | Adapter |
| 25 | | 587181 | 1 | Adapter |
| 26 | | 588202 | 1 | Washer |
| 27 | | 588203 | 1 | Filter Element, Fuel |
| 28 | | 588204 | 1 | O-Ring, Fuel Filter Element |
| 29 | | 588201 | 1 | O-Ring, Cup |
| 30 | | 7200 | 1 | Filter Element, Engine Oil |
| 31 | | 7350 | 1 | Rain Cap |
| 32 | | 7244 | 1 | Block Heater (Optional) |
| 33 | | 7245 | 2 | Fitting |
| | | | 1 | Fitting |