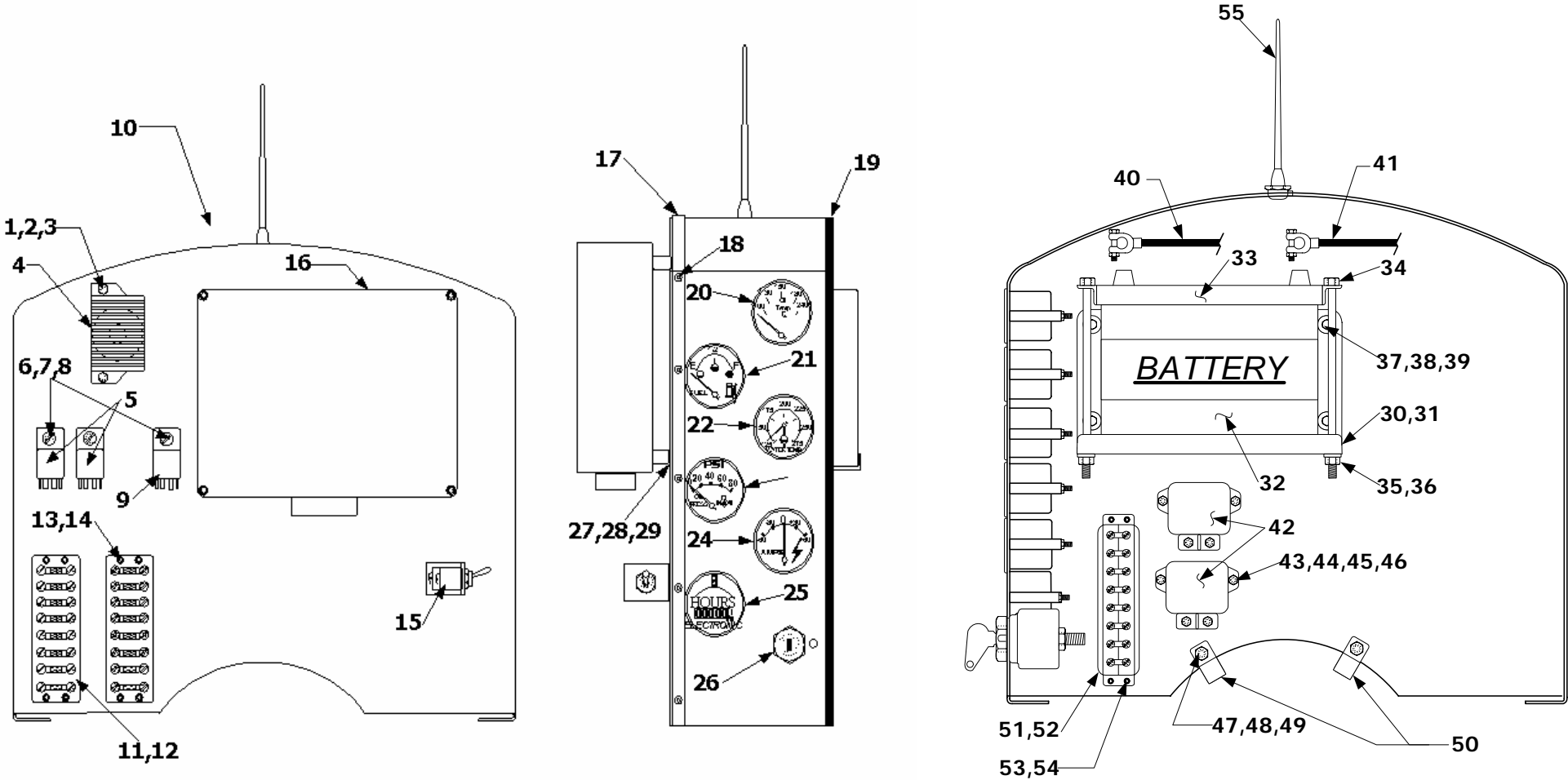
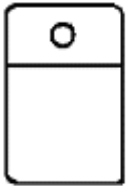


MIDDLE BULKHEAD ASSEMBLY

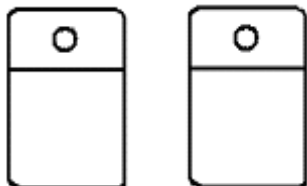


Parts 4.7B- Service Addendum

Emergency Stop Relay

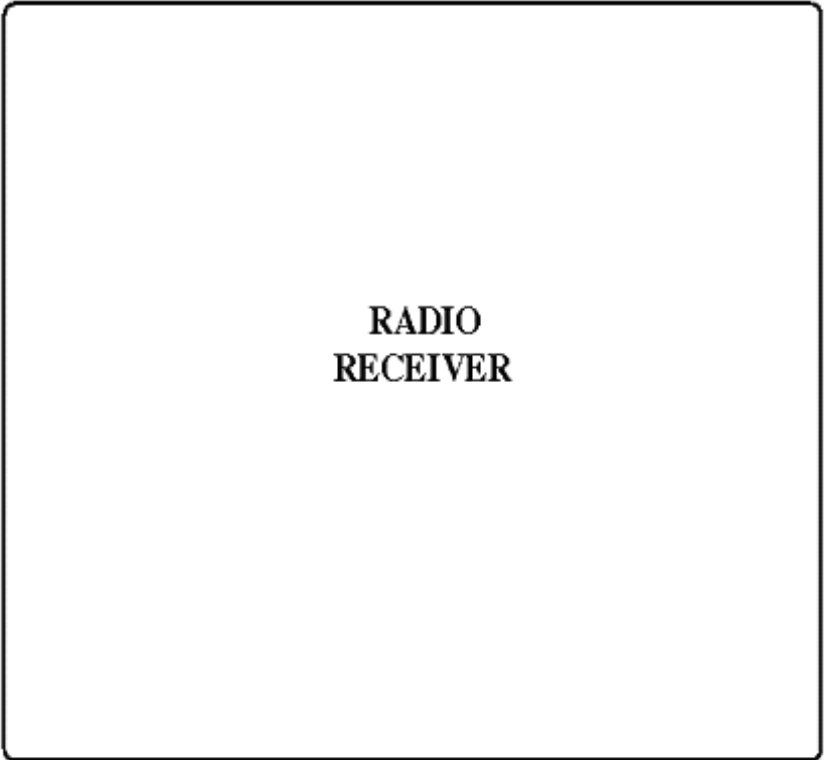
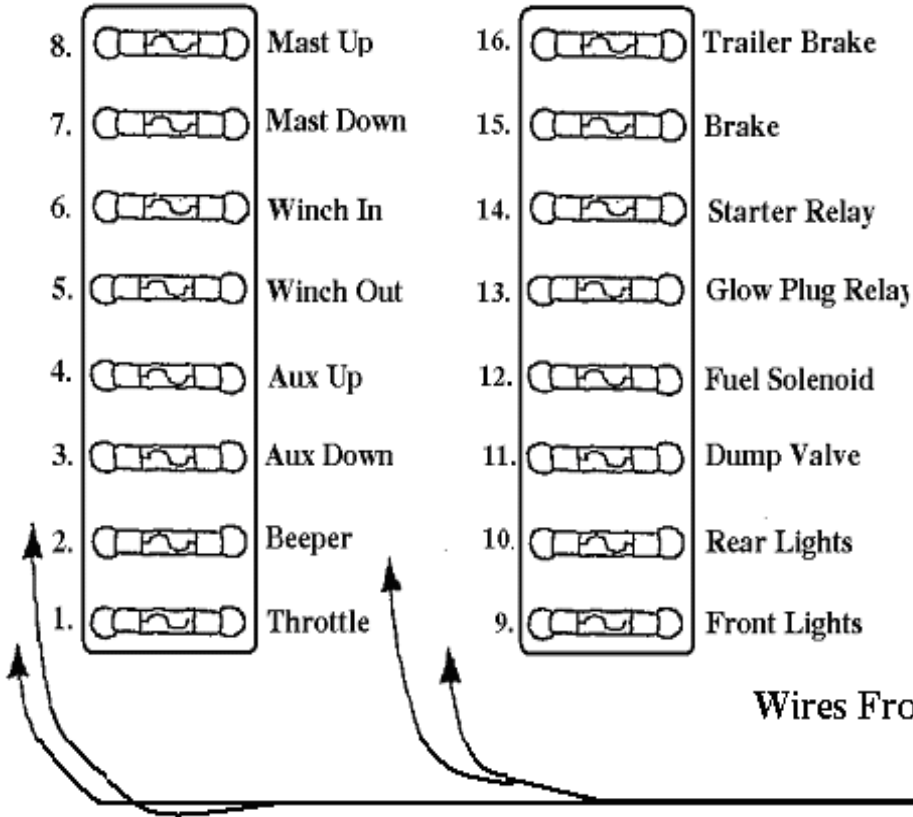


Front & Rear Light Relays



Note:

Do not Rely on visual inspection to detect bad fuses, if a blown fuse is suspected discard that fuse and replace with a known good fuse.



RADIO
RECEIVER

MIDDLE BULKHEAD ASSEMBLY

ITEM	NOTES	PART #	QTY	DESCRIPTION
1		500446	2	NUT
2		335	2	CAPSCREW
3		500447	2	WASHER
4		587141	1	BEEPER
5		7604	2	FLOOD LIGHT RELAYS
6		500136	3	SCREW
7		606631	3	NUT
8		607630	3	WASHER
9		7626	1	E-STOP RELAY
10		7796	1	MIDDLE BULKHEAD WELDMENT
11		5601175	1	FUSE PANEL
12		7248	1	PAD
13		G24-8327	8	SCREW
14		5601405	16	NUT
15		7888	1	ANCHOR DRIVE SWITCH ASSEMBLY
16		7634	1	RECEIVER
17		7627	1	HOOD LACE
18		7320	15	POP RIVET
19		10822	1	QUICK EDGE
20		7823	1	TEMP GAGE (HYDRAULIC)
21		7752	1	FUEL GAGE
22		7751	1	WATER TEMP GAGE
23		7754	1	OIL PRESSURE GAGE
24		7750	1	AMP GAGE
25		7753	1	HOUR METER
26		588095	1	IGNITION SWITCH
27		550729	4	CAPSCREW
28		550771	4	FLATWASHER
29		7247	4	LOCKWASHER
30		7587	1	BATTERY SHELF

MIDDLE BULKHEAD ASSEMBLY- CONT'D

ITEM	NOTES	PART #	QTY	DESCRIPTION
31		7815	1	BATTERY SHELF PAD
32		587109	1	BATTERY
33		7304	1	BATTERY HOLD DOWN
34		588144	2	CAPSCREW
35		500012	2	NUT
36		500056	2	WASHER
37		606474	4	SCREW
38		500056	4	WASHER
39		500012	4	NUT
40		7615	4	GROUND CABLE
41		7614	4	POSITIVE CABLE
42		588167	2	RELAYS
43		500562	4	CAPSCREW
44		5601975	4	FLATWASHER
45		500071	4	LOCKWASHER
46		500070	4	NUT
47		500083	2	CAPSCREW
48		500021	2	NUT
49		500056	2	LOCKWASHER
50		6080370	3	WIRE CLAMP
51		7219	1	TERMINAL STRIP
52		587113	1	PAD
53		G24-827	4	SCREW
54		5601405	8	NUT
55		7456	1	ANTENNA
56		500159	4	CAPSCREW
57		500056	4	LOCKWASHER
58		500004	4	FLATWASHER