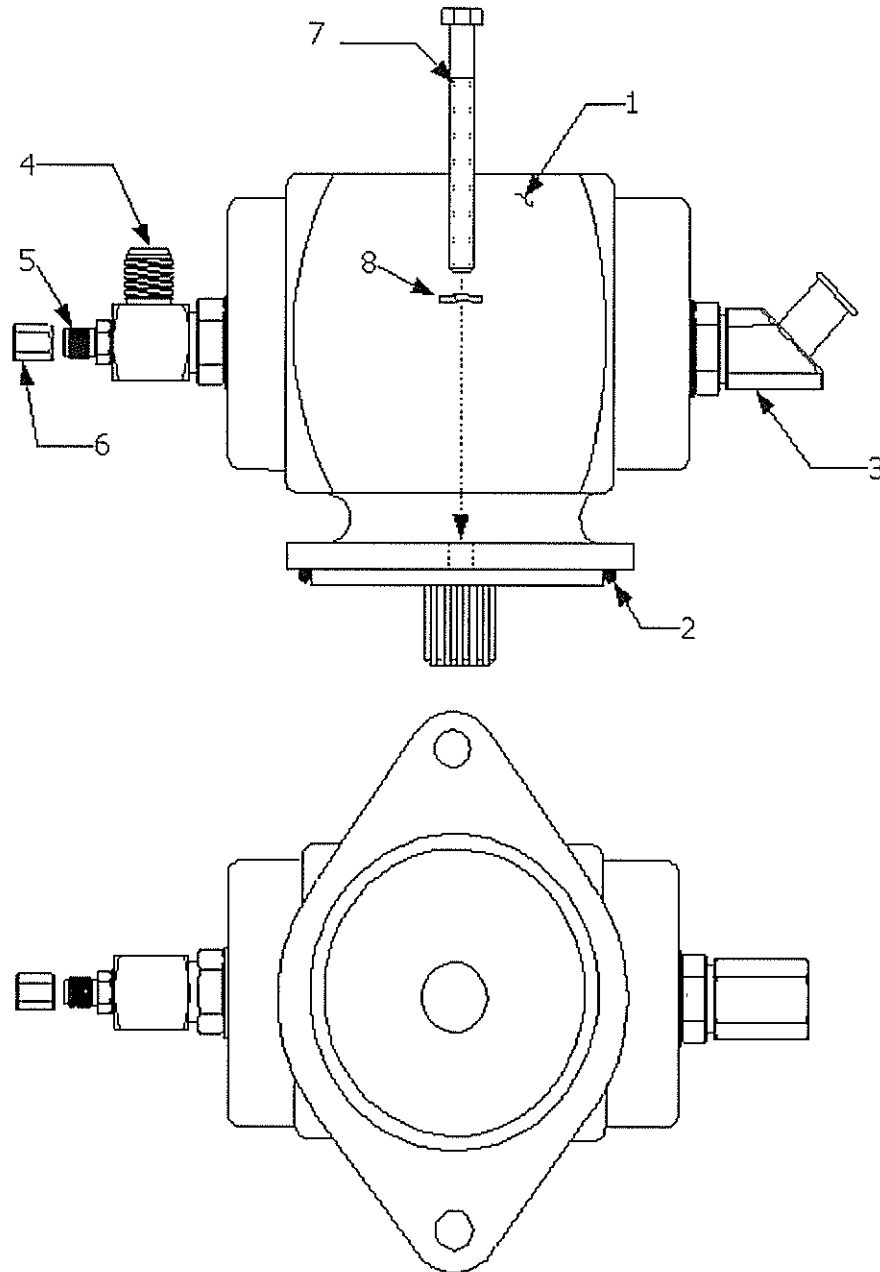


## AUXILIARY PUMP ASSEMBLY



ITEM	NOTES	PART#	QTY	DESCRIPTION
1		589053	1	PUMP
2		12612	1	O-RING
3		12522	1	FITTING
4		7191	1	FITTING
5		5601058	1	FITTING
6		7736	1	CAP
7		7318	2	SCREW
8		500056	2	WASHER