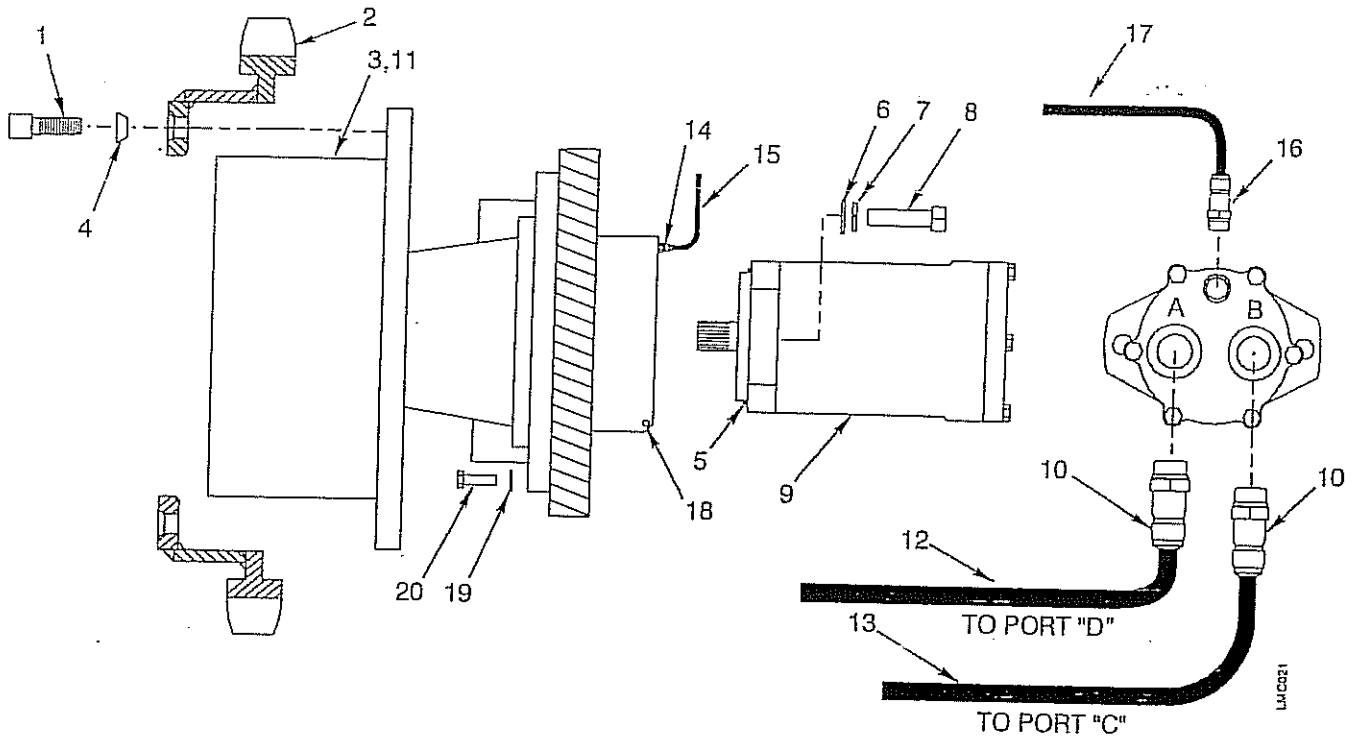


TORQUE HUB ASSEMBLY - Left



ITEM	NOTES	PART NUMBER	QTY	DESCRIPTION
				<b>Torque Hub Assembly - Left</b>
1		7353	16	Capscrew, 16 mm x 2.0 x 45 SHCS
2		7371	1	Sprocket
3		589122	1	Torque Hub
4		7203	16	Wedge Washer, 16 mm
5		587155	1	O-ring
6		589078	2	SAE Washer, 1/2
7		500058	2	Lockwasher, 1/2
8		500198	2	Capscrew, 1/2-13 x 2 HHCS
9		7218	1	Motor
10		A69-12	2	Adapter
11		7390	2	Reduction BNA
12		589145	1	Hose
13		589146	1	Hose
14		607215	1	Adapter
15		589061	1	Hose
16		607215	1	Adapter
17		589124	1	Hose
18		589121	1	Plug
19		500275	8	Lock Washer, 5/8
20		587144	8	Capscrew