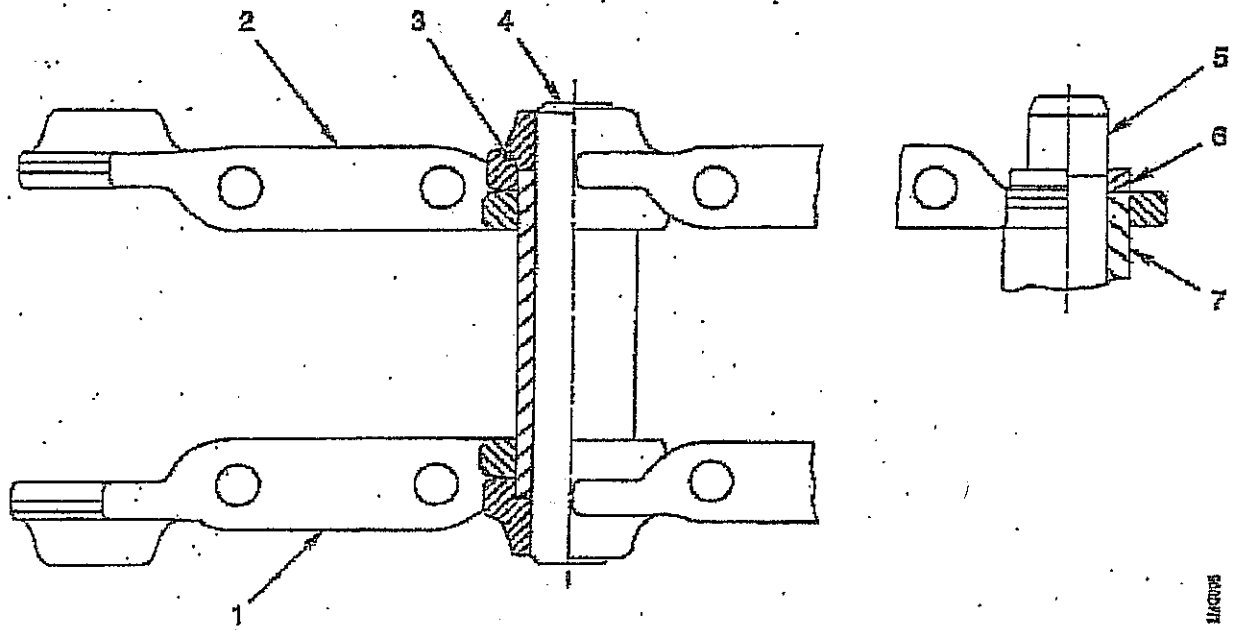




TRACK CHAIN ASSEMBLY



| ITEM | NOTES | PART NUMBER | QTY | DESCRIPTION          |
|------|-------|-------------|-----|----------------------|
|      |       | 585298      |     | Track Chain Assembly |
| 1    |       | 585335      | 32  | Link L.H.            |
| 2    |       | 585336      | 32  | Link R.H.            |
| 3    |       | 585337      | 31  | Bushing              |
| 4    |       | 585338      | 31  | Pin                  |
| 5    |       | 585339      | 1   | Master Pin           |
| 6    |       | 585340      | 2   | Spacer               |
| 7    |       | 585341      | 1   | Master Bushing       |