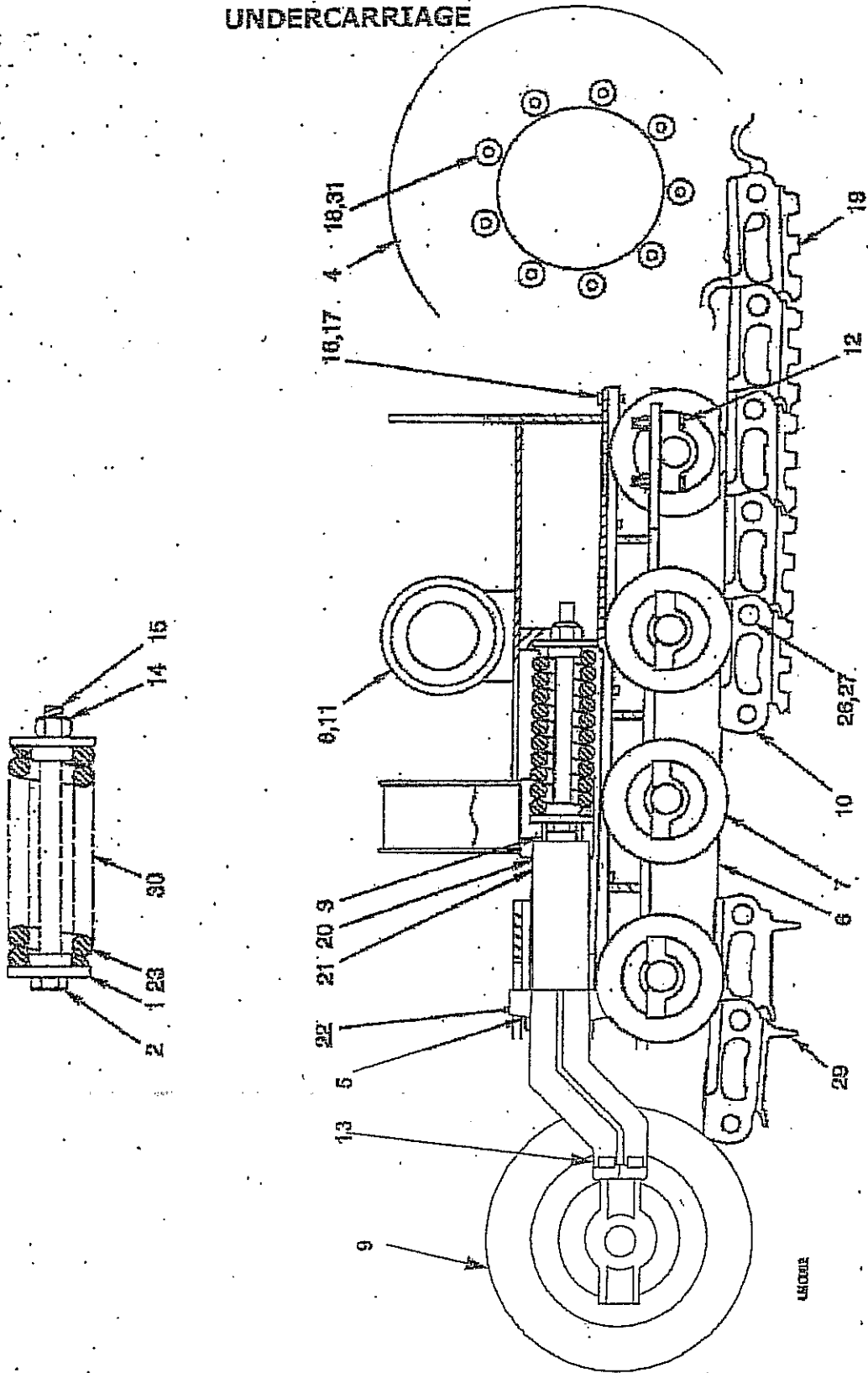


### UNDERCARRIAGE





Section 4 Parts

UNDERCARRIAGE

ITEM	NOTES	PART NUMBER	QTY	DESCRIPTION
1.		580735	4	Guide
2.		580736	2	Bolt
3.		587098	2	Piston
4.		7371	2	Sprocket
5.		580753	2	Yoke
6.		589133	2	Track Frame
7.		585295	10	Roller
8.		7396	2	Top Roller
9.		589137-2	2	Idler
10.		7359	2	Track Assembly, 32 Pitch Triple Grouser
11.		588105	4	Allen Head Capscrew
12.		587166	40	Capscrew
13.		588106	8	Allen Head Capscrew
14.		580762	2	Nut, Castle
15.		500264	2	Cotter Key
16.		589068	28	Capscrew
17.		589072	28	Washer
18.		7353	32	Capscrew
19.		585302	64	Triple Grouser
20.		585323	2	Rod Wiper
21.		588104	2	Seal
22.		12540	2	Grease Fitting
23.		585322	2	Spring
26.		585340	4	Spacer
27.		585339	2	Master Pin
29.		588061		Single Grouser 450mm (Optional)
		585303		Single Grouser 280mm (Optional)
30.		7352	2	Spring Assembly
31.		7203	32	Wedge Washer